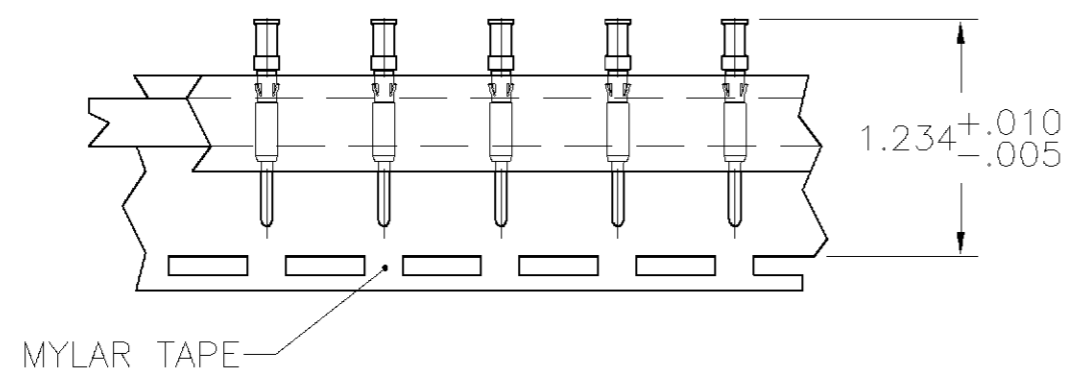
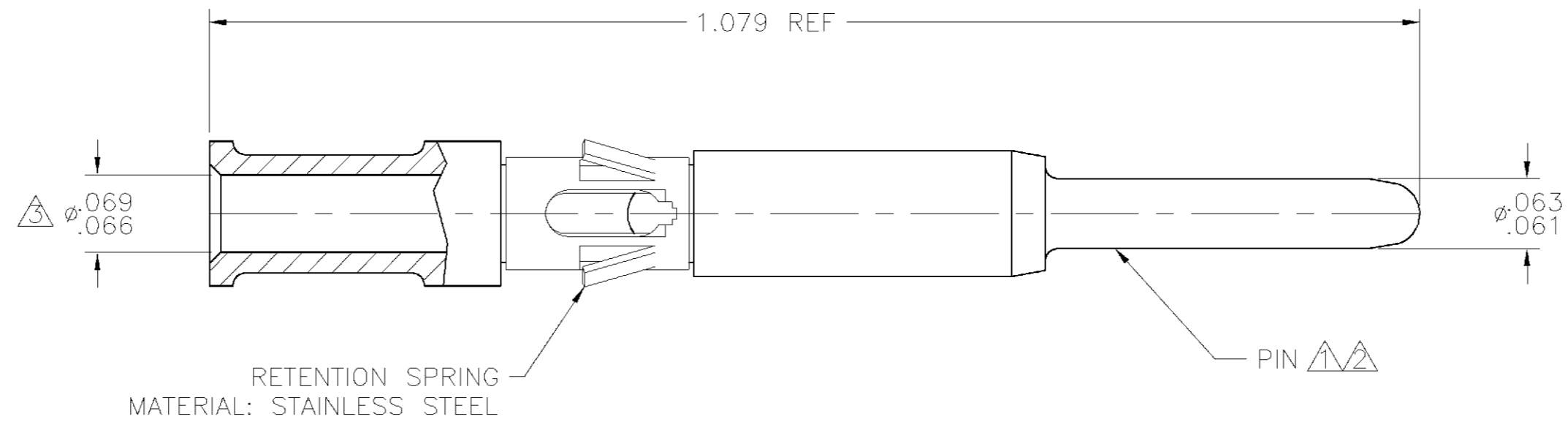


THIS DRAWING IS UNPUBLISHED. RELEASED FOR PUBLICATION  
 © COPYRIGHT BY TYCO ELECTRONICS CORPORATION. ALL RIGHTS RESERVED.

LOC		DIST		REVISIONS			
P	LTR	DESCRIPTION	DATE	DWN	APVD		
FT	0	A	RELEASE PER 0G3B-0297-02	5/22/02	SS	GS	

NOTES:

- ① MATERIAL: COPPER ALLOY
- ② FINISH: 200 μINCH MIN SILVER OVER 50 μINCH MIN. NICKEL
- ③ WIRE BARREL WILL ACCEPT 18-16 AWG WIRE.
- ④ WHEN ORDERING CONTACT ASSEMBLIES ON TAPE, ORDER BY PART NUMBER PLUS THE PACKAGING CODE AS FOLLOWS:  
 A. 5000 PARTS PER REEL ADD PACKAGING CODE: 5MREEL  
 I.E. ORDER #796964-2 5MREEL.



TAPE MTG DETAIL ④  
 796964-2 ONLY

④ TAPE MTG (SEE DETAIL)	796964-2
STANDARD	796964-1
PACKAGING TYPE	PART NO

THIS DRAWING IS A CONTROLLED DOCUMENT.		DWN S SCHLEGEL 5/22/02	<b>tyco</b> Tyco Electronics Corporation <b>Electronics</b> Harrisburg, PA 17105	
DIMENSIONS: INCHES		CHK G STEINHAUER 5/22/02		
TOLERANCES UNLESS OTHERWISE SPECIFIED:		APVD G STEINHAUER 5/22/02	NAME	
0 PLC ± -	1 PLC ± -	PRODUCT SPEC	PIN, .062 DIA., 18-16 AWG	
2 PLC ± .01	3 PLC ± .005	APPLICATION SPEC	HIGH CURRENT TYPE II/III+	
4 PLC ± -	ANGLES ± -	WEIGHT -	SIZE A2	CAGE CODE 00779
MATERIAL - ①	FINISH - ②	CUSTOMER DRAWING	DRAWING NO C=796964	RESTRICTED TO -
			SCALE 8:1	SHEET 1 OF 1