

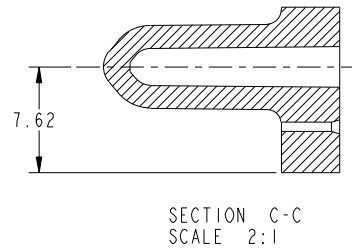
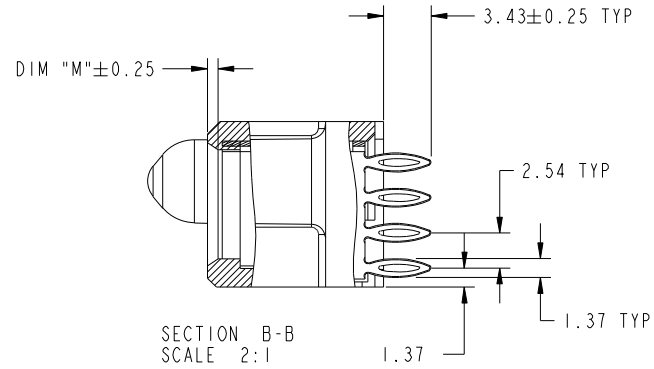
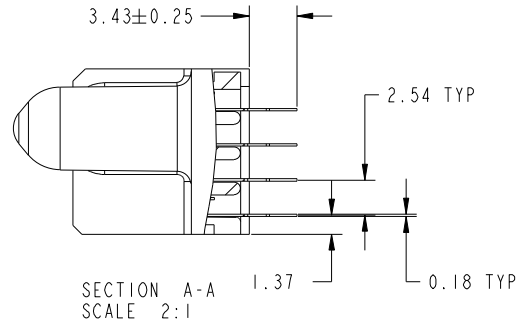


Tous droits strictement reserves. Reproduction ou communication a des tiers interdite sous quelque forme que ce soit sans autorisation écrite du propriétaire. Propriete de c FCI. Droits de reproduction FCI.

All rights strictly reserved. Reproduction or issue to third parties in any form whatever is not permitted without written authority from the proprietor. Property of FCI. Copyright FCI.



PRODUCT NUMBER  
51940-280--  
NOTE: 3



mat'l code				tolerances unless otherwise specified		CUSTOMER		 www.fciconnect.com			
ltr	ecn no.	dr	date	linear	0.X ±0.5	COPY		 title	2ACP + 6P + 24S + 5P VERTICAL PF RECEPT		
A					0.XX ±0.25	 				product family	PwrBlade
					0.XXX ±0.1	 					
				angles	0° ±2°	 		size	sheet		
				dr	JULIA WANG 02/12/09	scale				A	51940-280
				enr	JEROME CHEN 02/12/09	1:1		2 of 4			
				chr	GARY HSIEH 02/12/09						
				appd	JOSEPH HSIA 02/12/09						
sheet index	revision sheet										

Pro/E

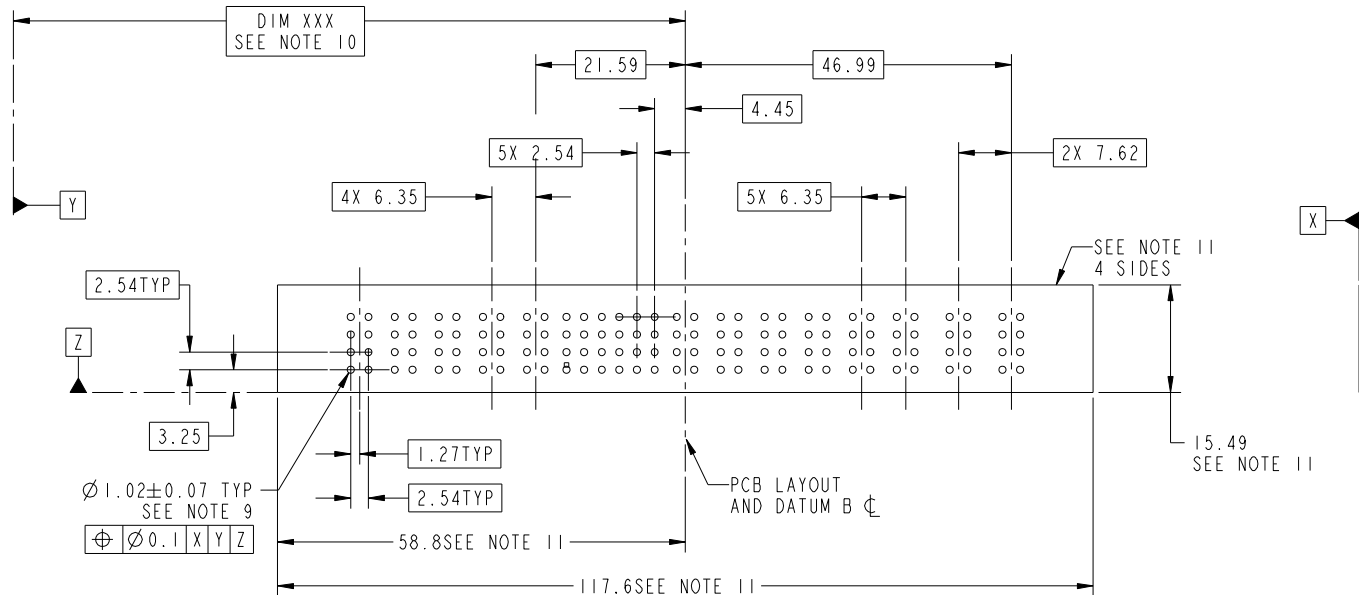
cage code 22526

Tous droits strictement reserves. Reproduction ou communication a des tiers interdite sous quelque forme que ce soit sans autorisation écrite du propriétaire. Propriete de c FCI. Droits de reproduction FCI.



All rights strictly reserved. Reproduction or issue to third parties in any form whatever is not permitted without written authority from the proprietor. Property of FCI. Copyright FCI.

PRODUCT NUMBER  
51940-280--  
NOTE: 3



mat'l code				tolerances unless otherwise specified		CUSTOMER		FCI	
ltr	ecn no.	dr	date	linear	0.X ± 0.5	COPY		www.fciconnect.com	
A					0.XX ± 0.25	projection		title	
				angles	0.XXX ± 0.1			2ACP + 6P + 24S + 5P VERTICAL PF RECEPT	
				dr	0° ± 2°			product family PwrBlade code	
				enr	JULIA WANG 02/12/09	scale		size	
				chr	JEROME CHEN 02/12/09	1:1		dwg no	
				appd	GARY HSIEH 02/12/09			51940-280	
					JOSEPH HSIA 02/12/09			sheet	
sheet index	revision sheet							3 of 4	

cage code 22526

Pro/E

Tous droits strictement reserves. Reproduction ou communication a des tiers interdite sous quelque forme que ce soit sans autorisation écrite du propriétaire. Propriete de c FCI. Droits de reproduction FCI.



All rights strictly reserved. Reproduction or issue to third parties in any form whatever is not permitted without written authority from the proprietor. Property of FCI. Copyright FCI.

PRODUCT NUMBER  
51940-280--  
NOTE: 3

NOTES:

1. DIMENSIONS AND TOLERANCES ARE IN ACCORDANCE WITH ASME Y14.5M, 1994 UNLESS OTHERWISE SPECIFIED.

CONNECTOR NOTES:

- 2 HOUSING MATERIAL: UL 94 V-0 GLASS FILLED HIGH-TEMP THERMOPLASTIC  
POWER CONTACT MATERIAL: COPPER ALLOY  
SIGNAL PIN MATERIAL: COPPER ALLOY
- 3. PLATING SPEC.  
SEE ITEM 7 & 8 IN PRINT 10064183 FOR PLATING SPEC OF 51940-280, 51940-280LF RESPECTIVELY.

4 MANUFACTURER'S NAME, P/N, AND DATE CODE TO APPEAR ON THIS SURFACE.

5. PRODUCT SPECIFICATION GS-12-149.  
APPLICATION SPECIFICATION BUS-20-067.

6. PACKAGED IN TRAYS.

PCB NOTES:

7. ALL HOLE DIAMETERS ARE FINISHED HOLE SIZE.

8 MOUNTING HOLES, WHERE APPLICABLE, ARE UNPLATED.

9  $\varnothing 1.151 \pm 0.025$  DRILLED HOLES PLATED WITH  
0.008 MIN SnPb OR Sn OVER 0.03  
TO 0.08 Cu PLATING TO ACHIEVE  
 $\varnothing 1.02 \pm 0.07$  HOLE.

10 "DIM XXX" TO BE DETERMINED BY THE CUSTOMER.

11 CONNECTOR KEEP-OUT ZONE.

12. THE VOID CORING IN BETWEEN POWER MODULES, SIGNAL MODULES AND END MODULES ARE OPTIONAL AND THE SHAPE MAY BE DIFFERENT FOR OPTIMIZE THE MOLDING PROCESS. THE VOID CORING WILL NOT EFFECT TO PRODUCT FUNCTION.

mat'l code				tolerances unless otherwise specified		CUSTOMER		FCI	
ltr	ecn no.	dr	date	linear	0.X ± 0.5	COPY		www.fciconnect.com	
A					0.XX ± 0.25	projection		title	
				angles	0.XXX ± 0.1			2ACP + 6P + 24S + 5P	
				dr	0° ± 2°	MIM		VERTICAL PF RECEPT	
				enr	JULIA WANG 02/12/09	product family		PwrBlade	code
				chr	JEROME CHEN 02/12/09	size		dwg no	213
				appd	GARY HSIEH 02/12/09	scale		51940-280	sheet
					JOSEPH HSIA 02/12/09	1:1		A	4 of 4
sheet index	revision sheet								

cage code 22526

Pro/E